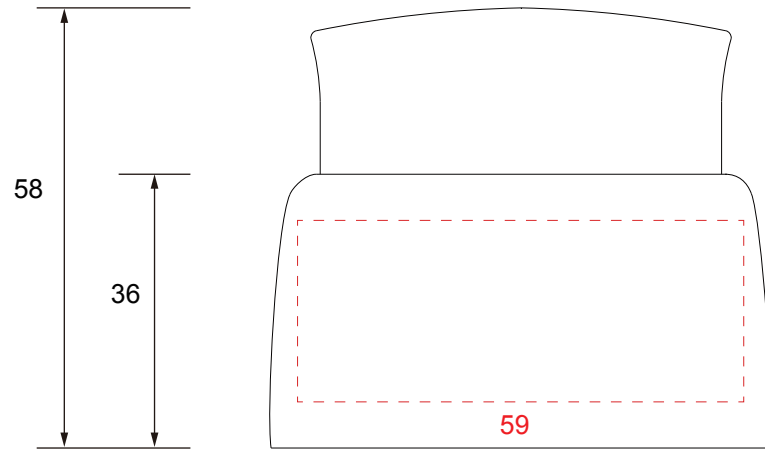
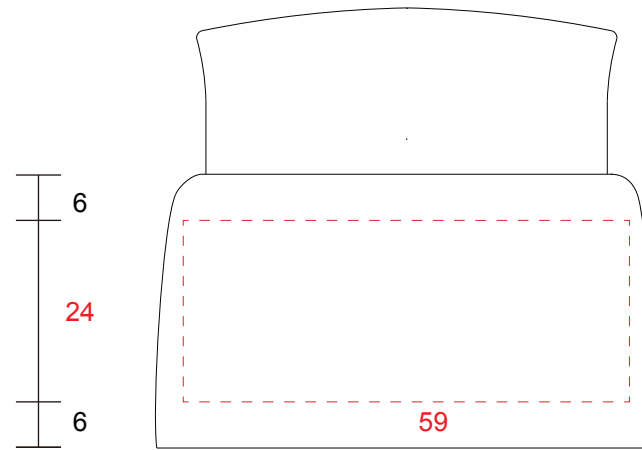


FRONT



BACK



Printing Area:59mm x 24mm

Customer Confirmation

 精美模具有限公司  
JINGMEI INDUSTRY CO., LTD

Item No.

M-21

Date:

1. Please confirm the content, layout, and color,
2. Kindly sign and return to us as a confirmation to begin molding
3. Any amendment after signing this document will incur extra fee for molding.
4. All measruements above are in millimeter (mm)